

540951-600

Max cutting thickness: 18mm

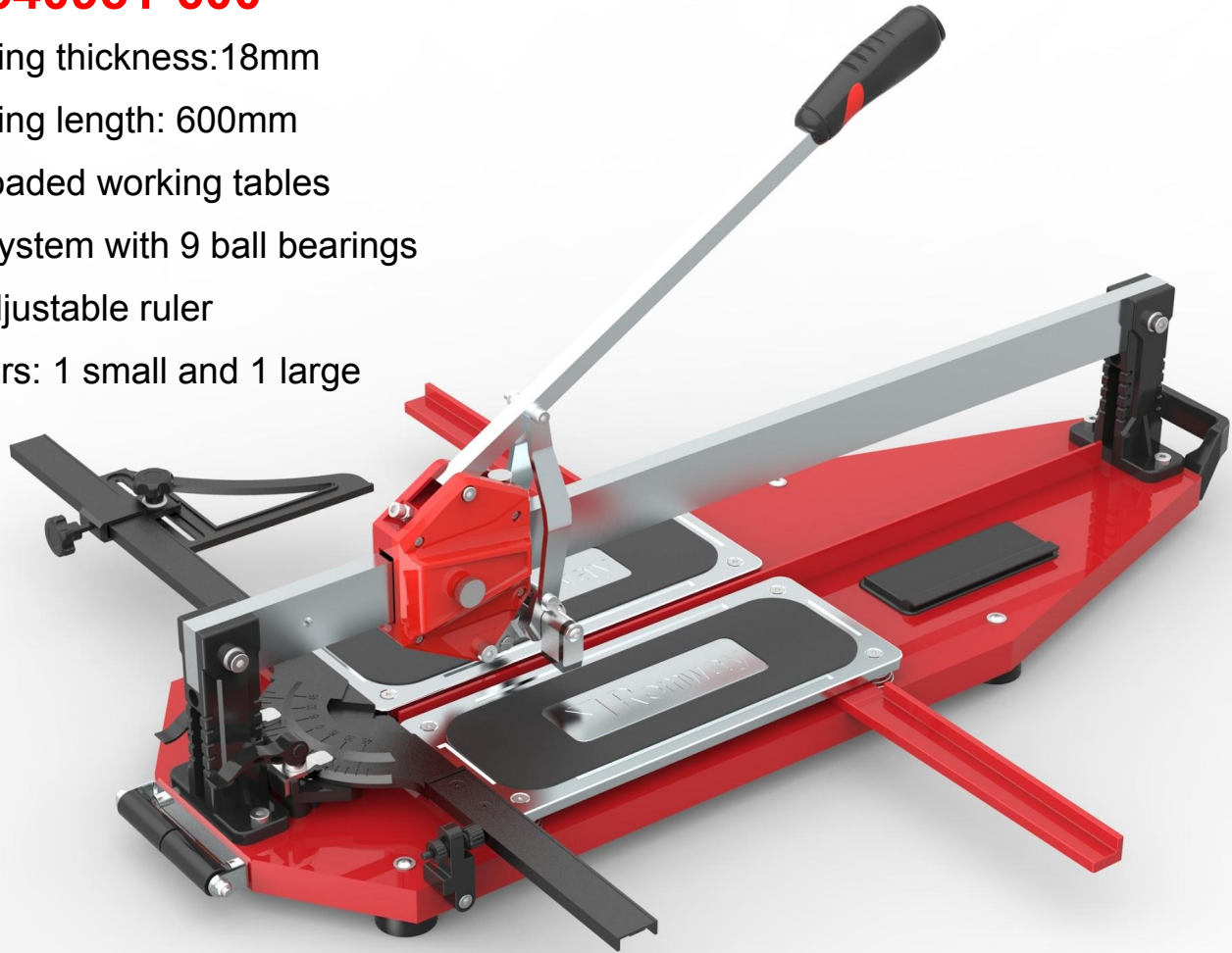
Max cutting length: 600mm

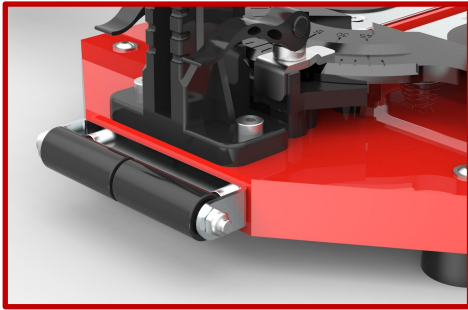
Spring-loaded working tables

Sliding system with 9 ball bearings

Large adjustable ruler

2 breakers: 1 small and 1 large

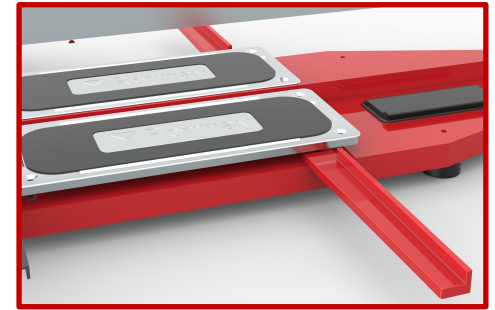




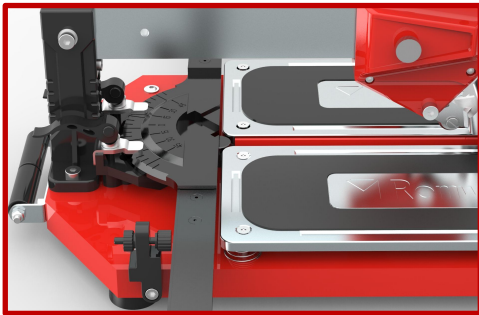
Moving rollers



45X15mm strong rail



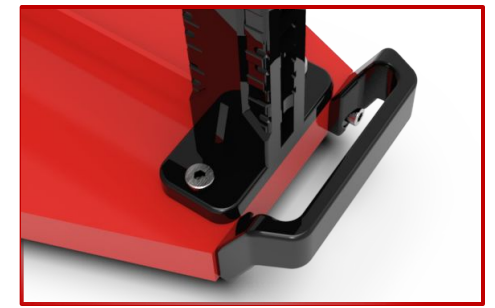
Lateral extension bars



Ruler with fast clamps



Tool box

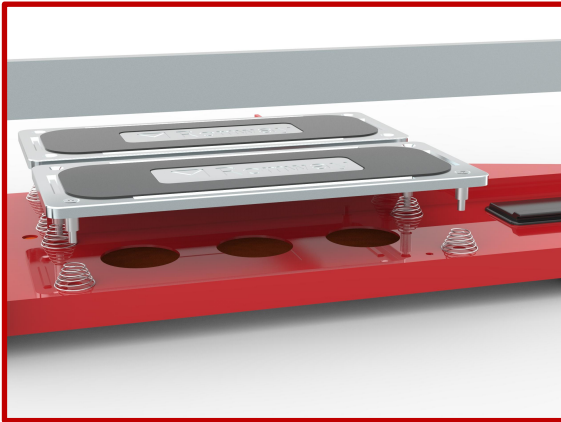


Moving handle





Easy adjustment of the sliding carriage

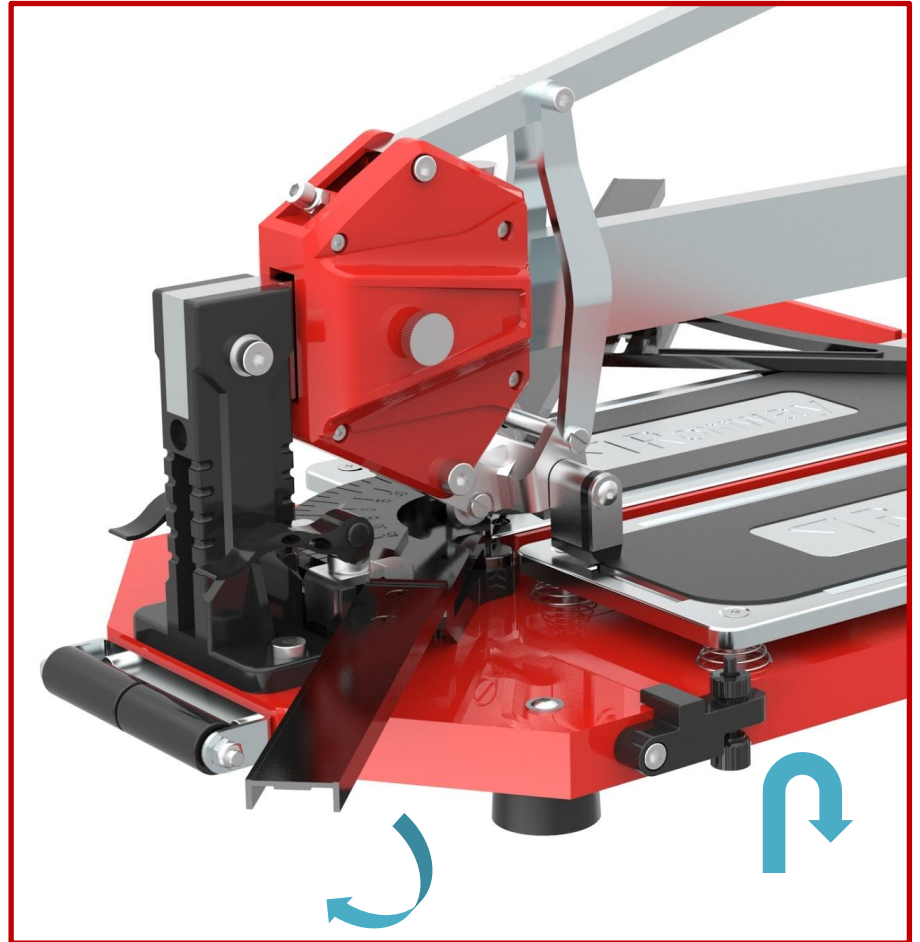
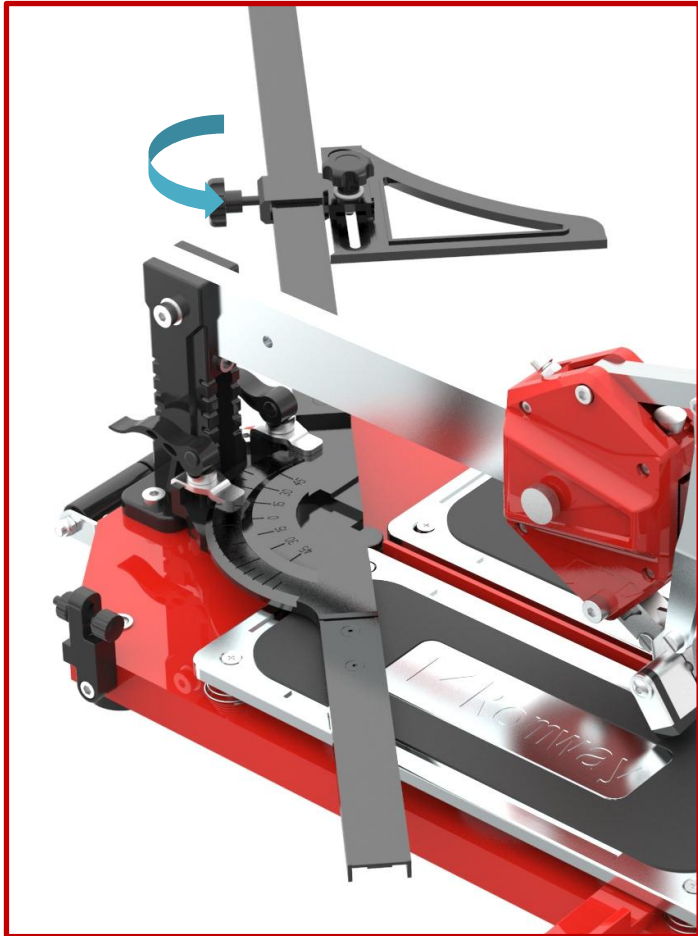


Spring-loaded working tables



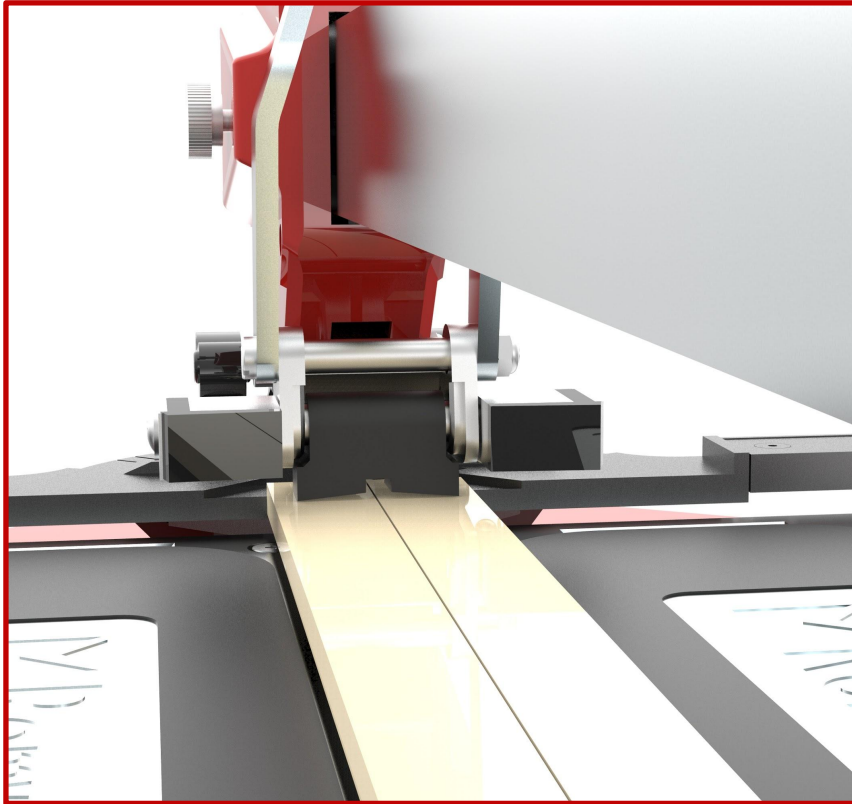
Easy adjustment of the handle



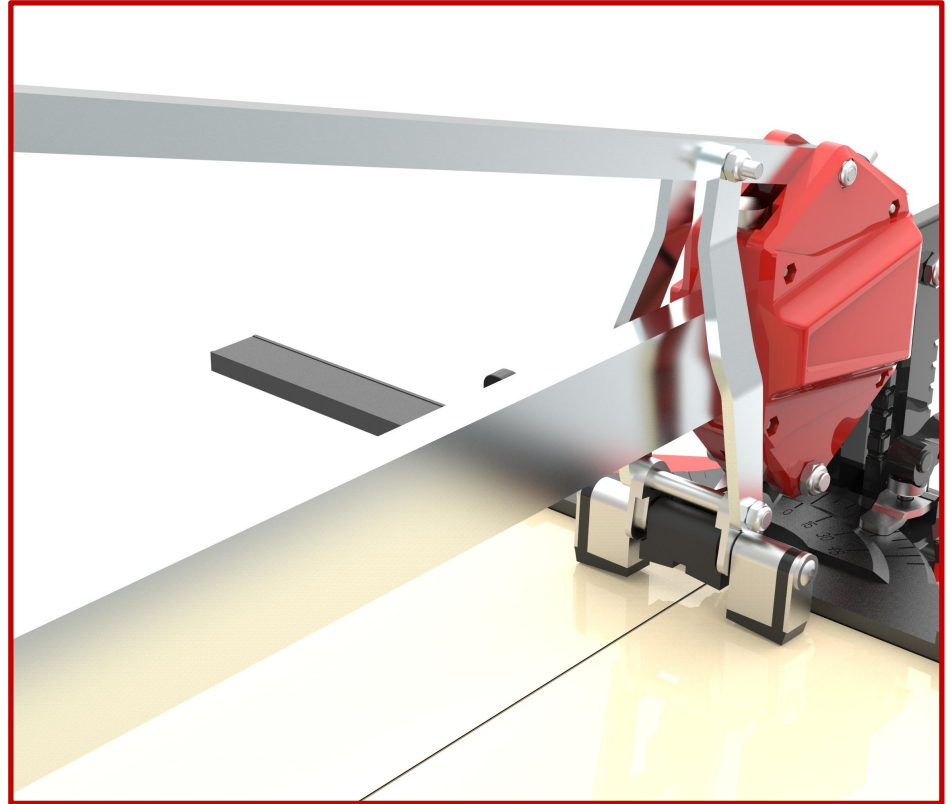


Adjust pivoting ruler to cut different angles on both sides





Small breaker for cutting thin and narrow tiles



Large breaker for cutting thick and large tiles, and for diagonal cutting

