

➤➤➤ 543018-P 600mm**NEW IN 2021**

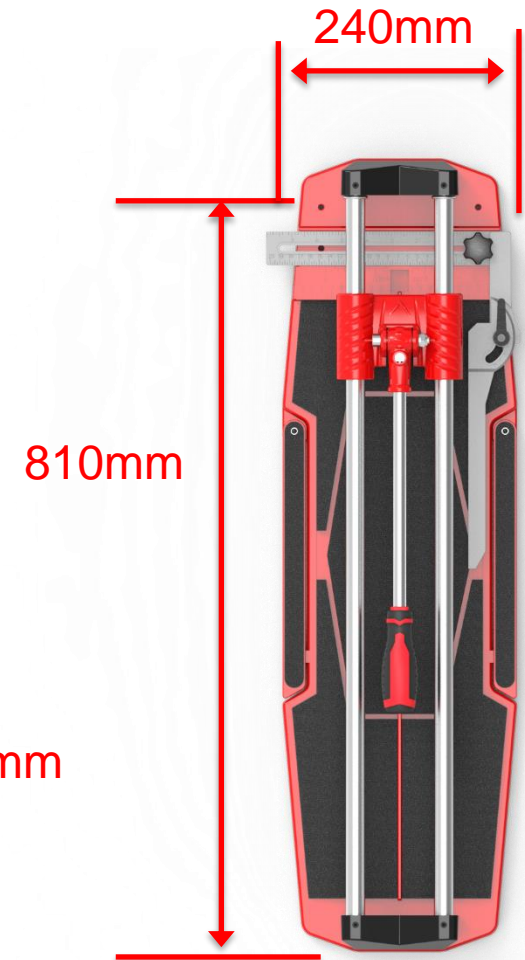
Technical Data

- High precision manual tile cutter
- Maximum cutting length: 600mm
- Maximum cutting height: 14mm
- Hard chrome plated rails Ø20mm
- Hardmetal cutting wheel with pole: 8x1.5x2mm (art. no. 470501-8)
- Die-cast aluminum base
- Rail holders, carriage housing, breaker and pivoting square made of aluminum
- Double color soft grip handle
- Extension bars for large tiles
- Pivoting guide for angle cutting
- High precision linear ball bearings
- Breaker with magnet
- Delivered with BMC carrying case (black)

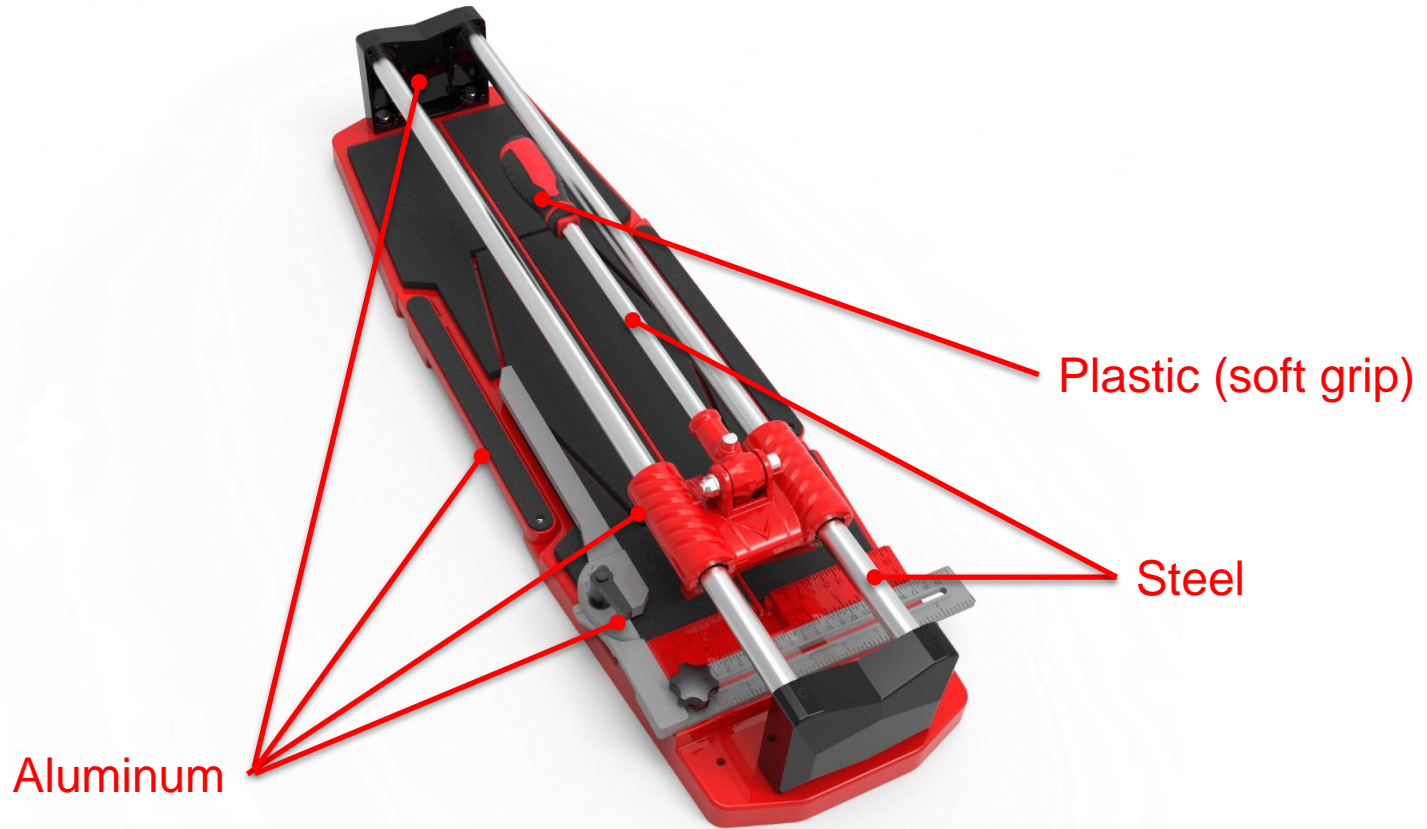


Machine Size

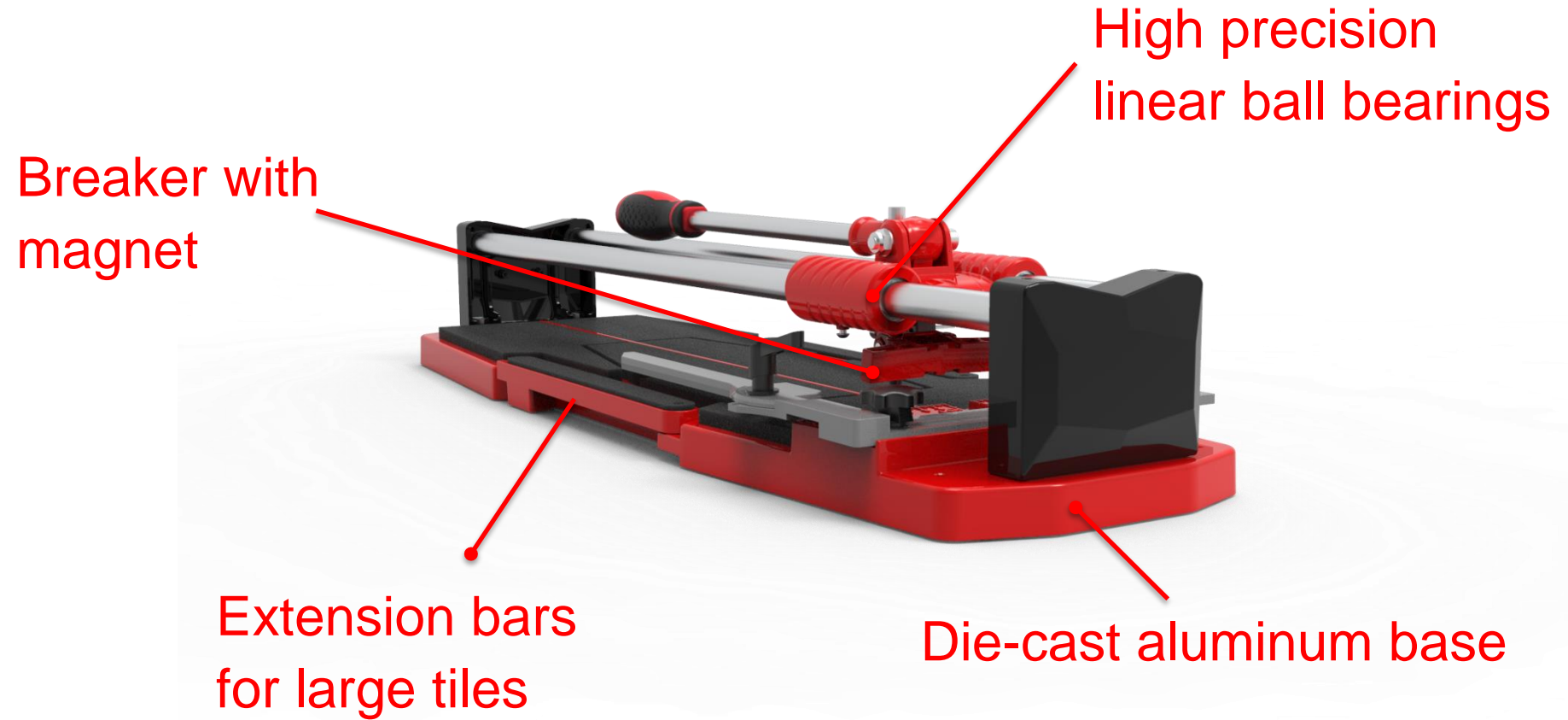
Size:
810 × 240 × 153mm



Materials



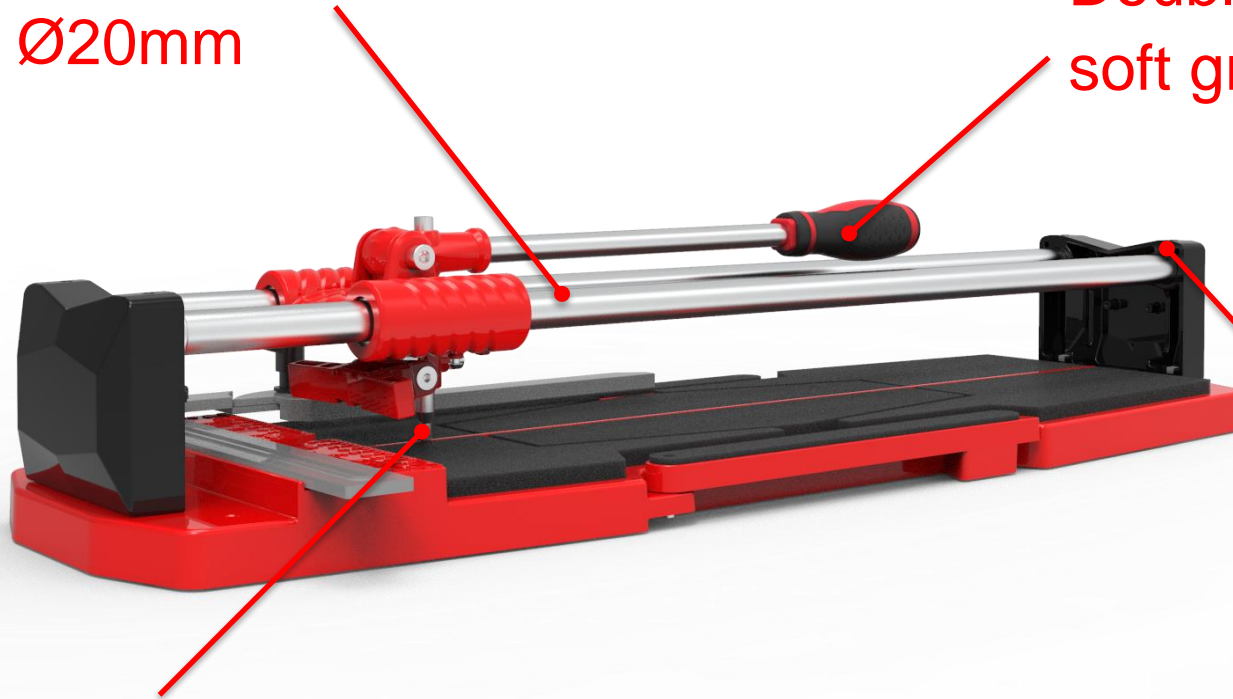
Construction & Function



Construction & Function

Hard chrome plated
rails Ø20mm

Double color
soft grip handle

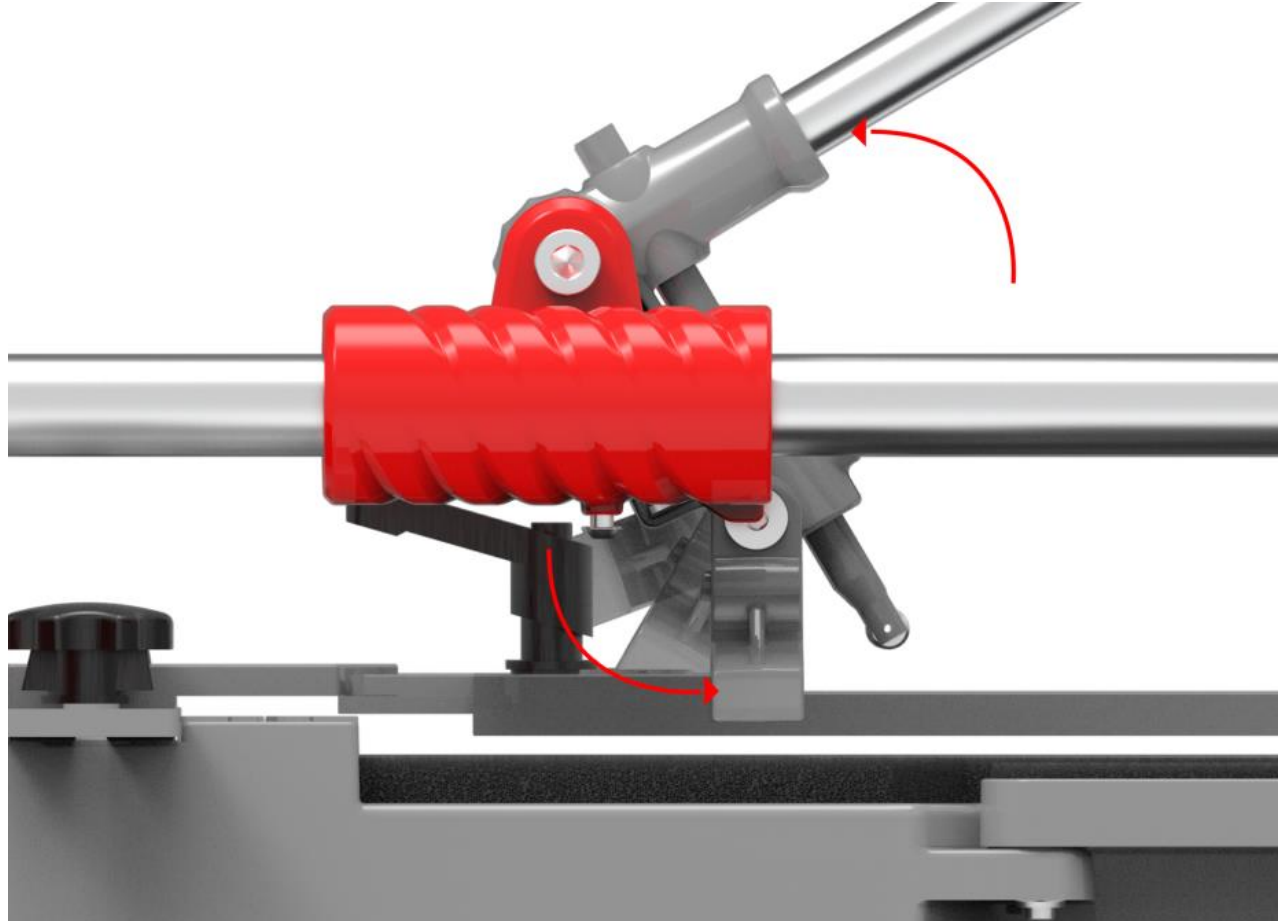


Screws on top
of rail holders
for locking the
rails

Hardmetal cutting
wheel with pole:
8x1.5x2mm



Construction & Function



Breaker can flip automatically when lifting the push bar

