

**►►► 543018-P 900mm****NEW IN 2021**

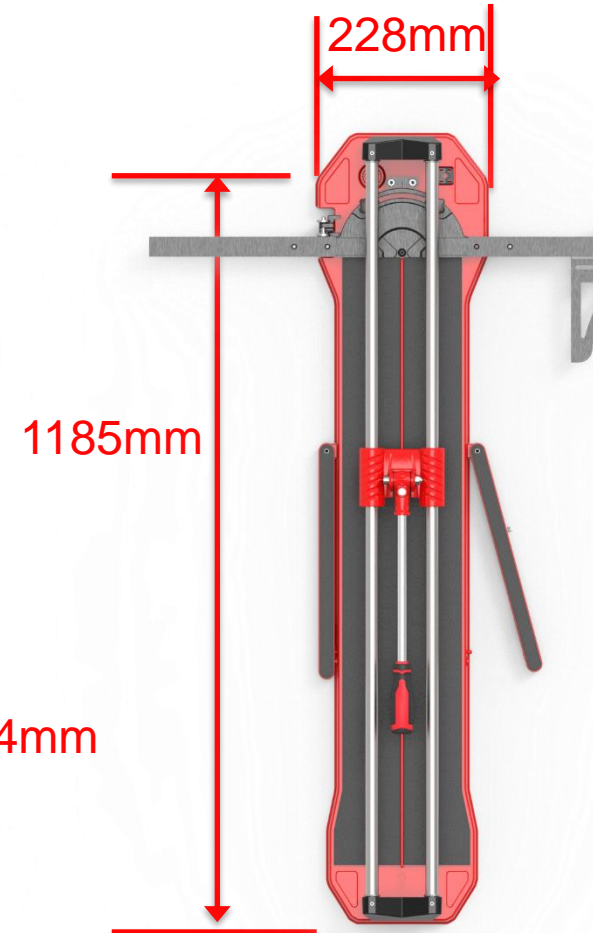
## Technical Data

- High precision manual tile cutter
- Maximum cutting length: 900mm
- Maximum cutting height: 14mm
- Hard chrome plated rails Ø20mm
- Hardmetal cutting wheel with pole: 8x1.5x2mm (art. no. 470501-8)
- Die-cast aluminum base
- Rail holders, carriage housing, breaker and pivoting ruler made of aluminum
- Double color soft grip handle
- Extension bars for large tiles
- Large size pivoting ruler and guide
- High precision linear ball bearings
- Breaker with magnet
- Delivered with BMC carrying case (black)



## Machine Size

Size:  
1185 × 228 × 154mm



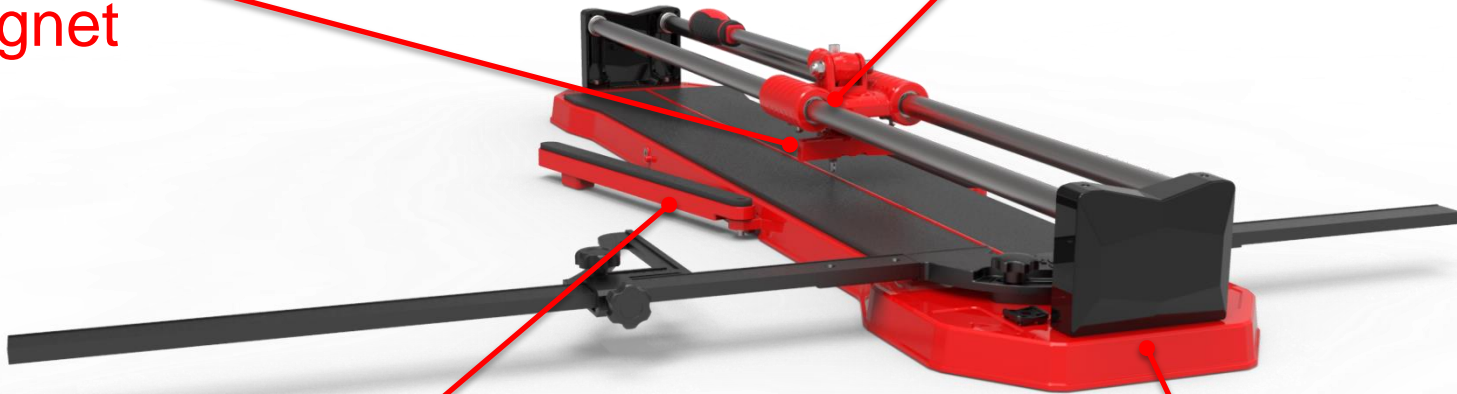
# Materials



## Construction & Function

Breaker with magnet

High precision linear ball bearings



Extension bars for large tiles

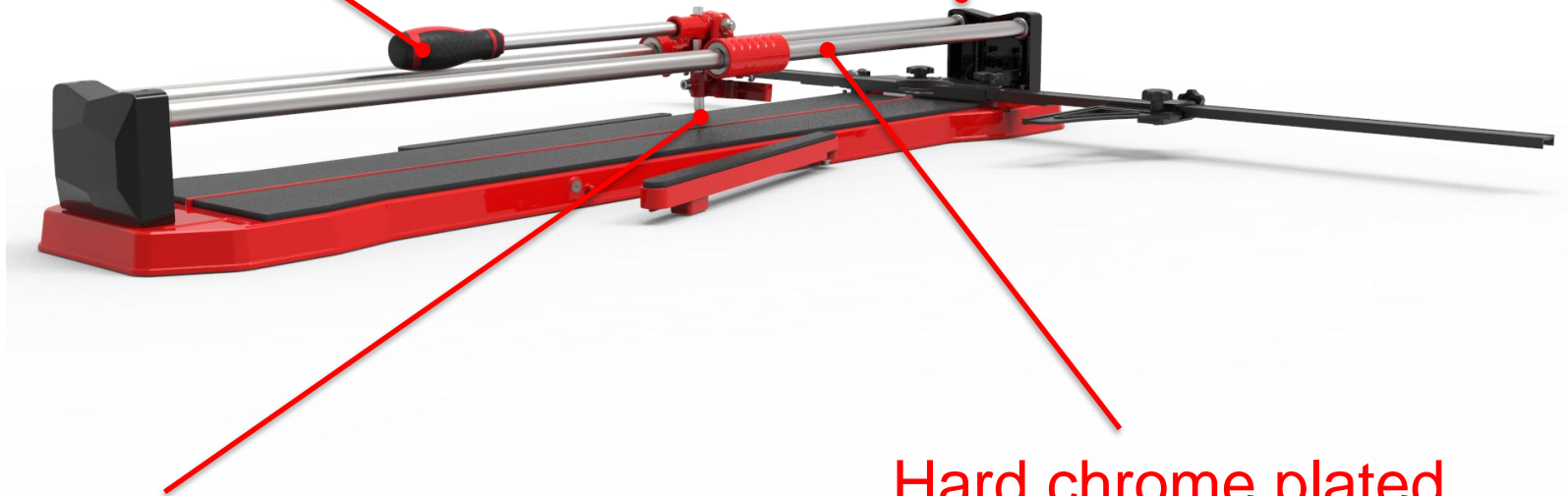
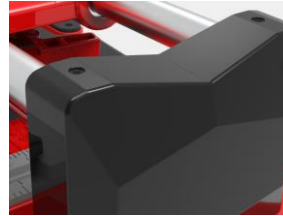
Die-cast aluminum base



## Construction & Function

Double color  
soft grip handle

Screws on top  
of rail holders  
for locking the  
rails

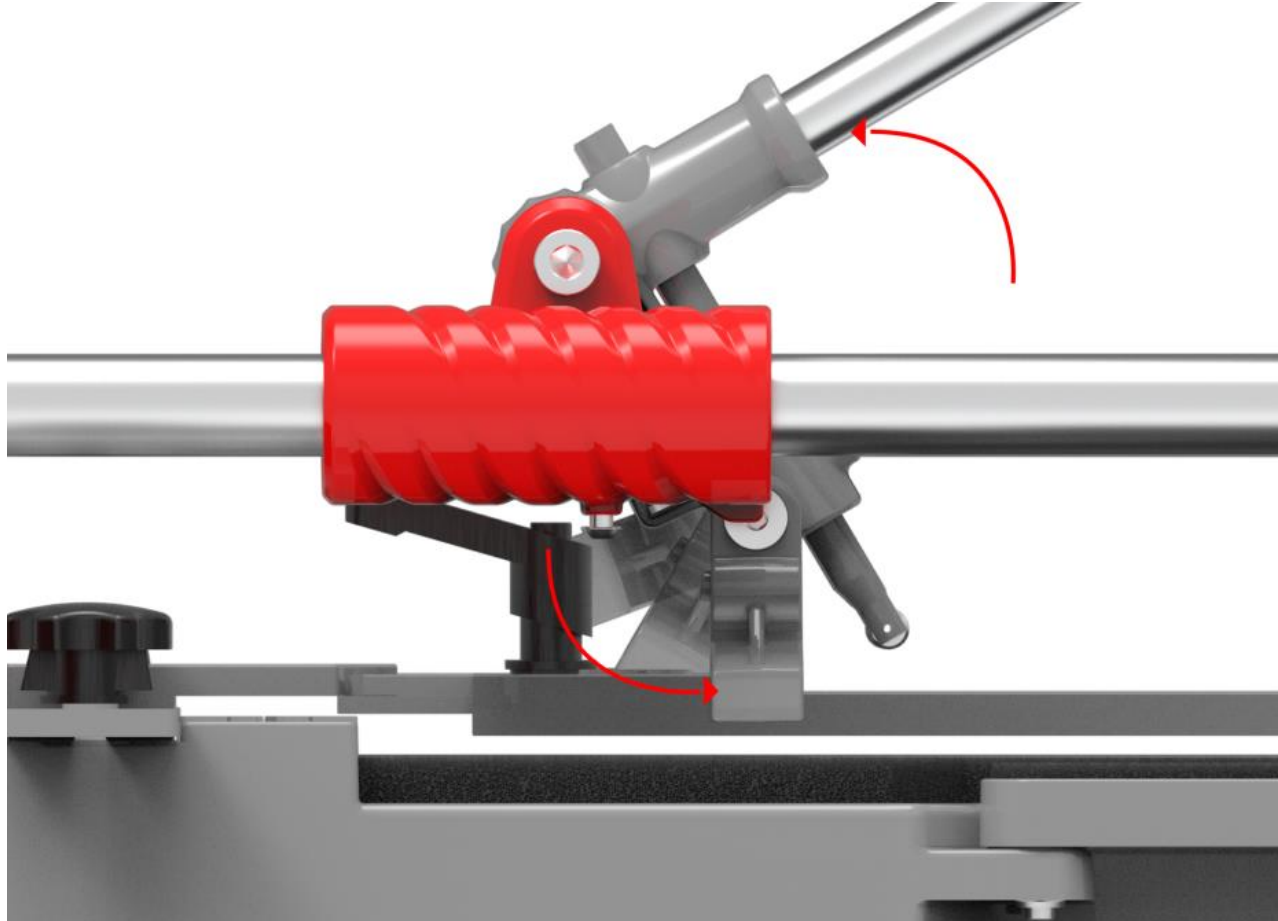


Hardmetal cutting  
wheel with pole:  
8x1.5x2mm

Hard chrome plated  
rails Ø20mm



## Construction & Function



Breaker can flip automatically when lifting the push bar

