



Romway[®]

PROFESSIONAL TILE CUTTERS



PROFESSIONAL TILE CUTTERS





Romway®

PROFESSIONAL TILE CUTTERS



Tiling tools and tile cutters for building professionals

Since 2003, ROMWAY® has been designing and manufacturing tile cutters, special tools, machines and accessories for the installation of ceramic tiles and floor coverings.

ROMWAY®'s experience is based on many years of collaboration (private label, OEM and ODM) with several major market players.

Numerous patents are registered worldwide and every year ROMWAY® introduces new innovative products to the market.

Owing to its excellent know-how and to the productivity of its means of production, ROMWAY® continues to develop on all continents.

ROMWAY® has a R&D center and a production site with a built area of more than 25,000 m² in Shengzhou (China). The site is ISO 9001, ISO 14001, OHSAS 18001 certified and uses the "6S" management system to guarantee quality control and support the policy of continuous product improvement. In addition, ROMWAY® actively participates in the BSCI programme for corporate social responsibility in China.



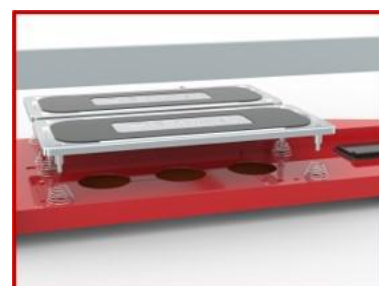
ROMWAY 540951 series

600 mm
750 mm
900 mm
1350 mm

- Top-professional manual tile cutter
- Robust design, suitable for cutting very hard tiles
- Large cross-section rail
- High precision cutting
- Sliding carriage mounted on ball bearings
- Heavy-duty and high strength cutting wheel mounted on ball bearing (art. no. 470502P)

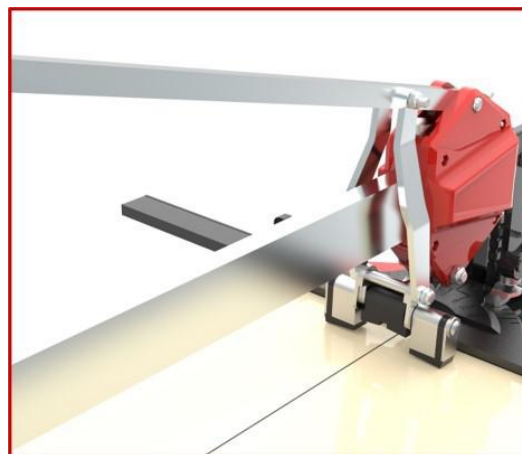


Pivoting laser-engraved ruler

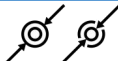







Spring-loaded working tables

Small separator for narrow cuts and thin tiles (<10 mm)

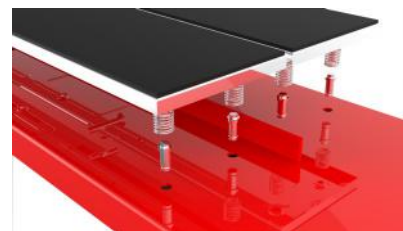


Large separator for wide cuts and thick tiles (>10 mm)

Item No.						
540951-600	22x6x6(2)mm	600mm	420x420mm	18mm	860x335x250mm	15.0kg
540951-750	22x6x6(2)mm	750mm	530x530mm	18mm	1010x335x250mm	17.0kg
540951-900	22x6x6(2)mm	900mm	630x630mm	18mm	1160x335x250mm	19.0kg
540951-1350	22x6x6(2)mm	1350mm	950x950mm	18mm	1610x335x250mm	25.0kg

ROMWAY 541008 series - 800 & 1000 mm

- Manual tile cutter, robust and compact design, suitable for cutting very hard tiles
- Double-rail system offering a good visibility of the cutting wheel
- Strong handle and high precision cutting
- Smooth guiding thanks to the linear ball bearings of the sliding carriage
- Separator with magnet offering a good visibility of the cutting wheel
- Pivoting square
- Heavy-duty and high strength cutting wheel mounted on ball bearing (art. no. 470502)



Spring-loaded working tables

ROMWAY 543018-P series - 600 & 900 mm

600 mm



900 mm



- High precision manual tile cutter
- Aluminium base
- Sliding carriage with linear ball bearings
- Strong handle
- Separator with magnet
- Pivoting square (model 600) / Pivoting ruler (model 900)
- Lateral extensions for large-sized tiles
- Cutting wheel assembled on pole (art. no. 470501-8mm) offering a good visibility of the cutting wheel
- Delivered with BMC carrying case

Item No.						
541008-800	22x6x6(2)mm	800mm	560x560mm	16mm	1040x275x175mm	15.0kg
541008-1000	22x6x6(2)mm	1000mm	700x700mm	16mm	1240x275x175mm	17.0kg
543018-P-600 BMC	8x1.5x2mm	600mm	420x420mm	14mm	935x395x205mm	13.0kg
543018-P-900 BMC	8x1.5x2mm	900mm	630x630mm	14mm	1255x395x205mm	19.0kg

ROMWAY 540922 series 660 mm



- Robust manual tile cutter
- Double-rail system offering a good visibility of the cutting wheel
- High precision cutting
- Smooth guiding thanks to the linear ball bearings of the sliding carriage
- Special square for quick adjustment and 45° cutting
- Separator with great breaking power
- High quality cutting wheel assembled on pole (art. no. 470501-8mm)



Cutting wheel assembled on pole



Separator with great breaking power



Diagonal cutting



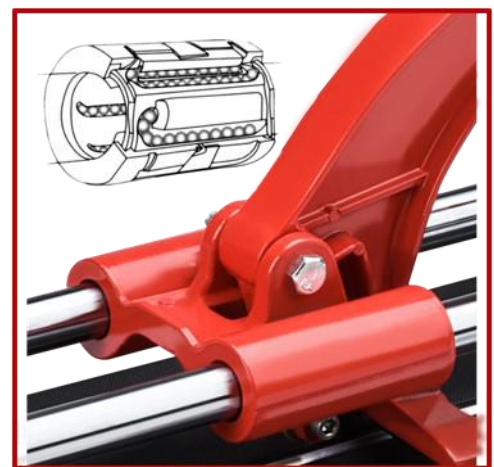
Straight cutting

Item No.						
540922-660	8x1.5x2mm	660mm	460x460mm	14mm	960x320x160mm	13.0kg

ROMWAY 543007 series 600 mm



- Manual tile cutter for hard tiles
- Extruded aluminum base
- Double-rail system with large cross-section
- High precision cutting
- Smooth guiding thanks to the linear ball bearings of the sliding carriage
- Lateral extensions for large-sized tiles
- Heavy-duty cutting wheel mounted on ball bearing (art. no. 470502)



Sliding carriage mounted on linear ball bearings



Pivoting square



Lateral extension bar






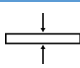


Cutting wheel on bearing

Item No.						
543007-600	22x6x6(2)mm	600mm	420x420mm	12mm	825x280x200mm	8.0kg








ROMWAY *PRO-C* 540820 series 600 mm

- Manual tile cutter
- Maximum cutting length: 600mm
- Maximum cutting height: 12mm
- Precision ball bearings
- Steel base
- Tungsten carbide cutting wheel 22x6x2mm (art. no. 470500-22mm)
- Delivered with BMC carrying case



Item No.						
540820-600 BMC	22x6x2mm	600mm	420x420mm	12mm	885x305x150mm	11.5kg

SPARE CUTTING WHEELS FOR TILE CUTTERS

Art. No.	Product Description	Picture (non contractual)
470502P	High-quality tungsten carbide cutting wheel, titanium coated, with ball bearing. - Size: 22x6x6(2)mm. - For tile cutters 540951 series and similar models. - Compatible with 541008, 543007, 543009 series and similar models.	
470502	Tungsten carbide cutting wheel, with ball bearing. - Size: 22x6x6(2)mm. - For tile cutters 541008, 543007, 543009 and similar models. - Compatible with 540951 series and similar models.	
470501-8mm	Tungsten carbide cutting wheel with pole. - Size: 8x1.5x2mm. - For 540922, 543018-P series and similar models.	
470501-6.5mm	Tungsten carbide cutting wheel with short pole. - Size: 6.5x1.5x2mm. - For tile cutters 540910 series and similar models.	
470501-8-SP	Tungsten carbide cutting wheel with short pole. - Size: 8x1.5x2mm. - For tile cutters 540910 series and similar models.	
470501-10mm	Tungsten carbide cutting wheel with short pole. - Size: 10x4x3mm. - For tile cutters 540910 series and similar models.	
470500-22mm	Tungsten carbide cutting wheel. - Size: 22x6x2mm. - For tile cutters 540820 series and similar models.	



NB: In order to make all improvements as quickly as possible, ROMWAY reserves the right to modify the characteristics and information of the products presented in this document at any time and without notice.
The information and pictures are provided for guidance only and are not contractual.

ROMWAY EUROPE SARL

32 Rue Aristide Berges — 31270 Cugnaux (Toulouse), France

Tel.: +33(0)5 34 50 25 02 — Fax: +33(0)5 34 50 25 03

Sales & Marketing Europe: +31 (0)6 29 09 53 64

E-mail: info@romway.eu — Web: www.romway.eu